

Face Recognition Access Controller

Quick Start Guide








Foreword

General

This manual introduces the functions and operations of the Face Recognition Access Controller (hereinafter referred to as the "Access Controller"). Read carefully before using the device, and keep the manual safe for future reference.

Safety Instructions

The following signal words might appear in the manual.

Signal Words	Meaning
 DANGER	Indicates a high potential hazard which, if not avoided, will result in death or serious injury.
 WARNING	Indicates a medium or low potential hazard which, if not avoided, could result in slight or moderate injury.
 CAUTION	Indicates a potential risk which, if not avoided, could result in property damage, data loss, reductions in performance, or unpredictable results.
 TIPS	Provides methods to help you solve a problem or save time.
 NOTE	Provides additional information as a supplement to the text.

Revision History

Version	Revision Content	Release Time
V1.0.0	First Release.	January 2026

Privacy Protection Notice

As the device user or data controller, you might collect the personal data of others such as their face, audio, fingerprints, and license plate number. You need to be in compliance with your local privacy protection laws and regulations to protect the legitimate rights and interests of other people by implementing measures which include but are not limited to: Providing clear and visible identification to inform people of the existence of the surveillance area and provide required contact information.

About the Manual

- The manual is for reference only. Slight differences might be found between the manual and the product.
- We are not liable for losses incurred due to operating the product in ways that are not in compliance with the manual.
- The manual will be updated according to the latest laws and regulations of related jurisdictions. For detailed information, see the paper user manual, use our CD-ROM, scan the QR code or visit

our official website. The manual is for reference only. Slight differences might be found between the electronic version and the paper version.

- All designs and software are subject to change without prior written notice. Product updates might result in some differences appearing between the actual product and the manual. Please contact customer service for the latest program and supplementary documentation.
- There might be errors in the print or deviations in the description of the functions, operations and technical data. If there is any doubt or dispute, we reserve the right of final explanation.
- Upgrade the reader software or try other mainstream reader software if the manual (in PDF format) cannot be opened.
- All trademarks, registered trademarks and company names in the manual are properties of their respective owners.
- Please visit our website, contact the supplier or customer service if any problems occur while using the device.
- If there is any uncertainty or controversy, we reserve the right of final explanation.

Important Safeguards and Warnings

This section introduces content covering the proper handling of the Device, hazard prevention, and prevention of property damage. Read carefully before using the Device, and comply with the guidelines when using it.

Transportation Requirement



Transport, use and store the Device under allowed humidity and temperature conditions.

Storage Requirement



Store the Device under allowed humidity and temperature conditions.

Installation Requirements



- Do not connect the power adapter to the Device while the adapter is powered on.
- Strictly comply with the local electric safety code and standards. Make sure the ambient voltage is stable and meets the power supply requirements of the Device.
- Do not connect the Device to two or more kinds of power supplies, to avoid damage to the Device.
- Improper use of the battery might result in a fire or explosion.
- Please follow the electrical requirements to power the device.
 - ◇ Following are the requirements for selecting a power adapter.
 - The power supply must conform to the requirements of IEC 60950-1 and IEC 62368-1 standards.
 - The voltage must meet the SELV (Safety Extra Low Voltage) requirements and not exceed ES-1 standards.
 - When the power of the device does not exceed 100 W, the power supply must meet LPS requirements and be no higher than PS2.
 - ◇ We recommend using the power adapter provided with the device.
 - ◇ When selecting the power adapter, the power supply requirements (such as rated voltage) are subject to the device label.



- Personnel working at heights must take all necessary measures to ensure personal safety including wearing a helmet and safety belts.
- Do not place the Device in a place exposed to sunlight or near heat sources.
- Keep the Device away from dampness, dust, and soot.
- Install the Device on a stable surface to prevent it from falling.
- Install the Device in a well-ventilated place, and do not block its ventilation.

- Use an adapter or cabinet power supply provided by the manufacturer.
- Use the power cords that are recommended for the region and conform to the rated power specifications.
- The Device is a class I electrical appliance. Make sure that the power supply of the Device is connected to a power socket with protective earthing.
- The device must be installed at a height of 2 meters or below.
- If the product has a metal case, we recommend you install it in an environment with a temperature lower than 40°C (104°F) to avoid overheating and affecting your experience.

Operation Requirements



- Check whether the power supply is correct before use.
- Ground the device to protective ground before you power it on.
- Do not unplug the power cord on the side of the Device while the adapter is powered on.
- Operate the Device within the rated range of power input and output.
- Use the Device under allowed humidity and temperature conditions.
- Do not drop or splash liquid onto the Device, and make sure that there is no object filled with liquid on the Device to prevent liquid from flowing into it.
- Do not disassemble the Device without professional instruction.
- This product is professional equipment.
- The Device is not suitable for use in locations where children are likely to be present.

Table of Contents

Foreword.....	I
Important Safeguards and Warnings.....	III
1 Appearance.....	1
2 Wiring and Installation.....	5
2.1 Installation Requirements.....	5
2.2 Wiring.....	8
2.3 Installation Procedure.....	10
2.3.1 Wall Mount.....	10
2.3.2 120 Box Mount.....	10
3 Local Configurations.....	11
4 Web Configurations.....	12
4.1 Initialization.....	12
4.2 Logging in to the Webpage.....	12
Appendix 1 Important Points of Face Registration.....	13
Appendix 2 Security Recommendation.....	16

1 Appearance

There are 2 models for the access controller: One with a bell button and the other without a bell button.

Figure 1-1 Dimensions for models without a call button (Unit: mm [inch])

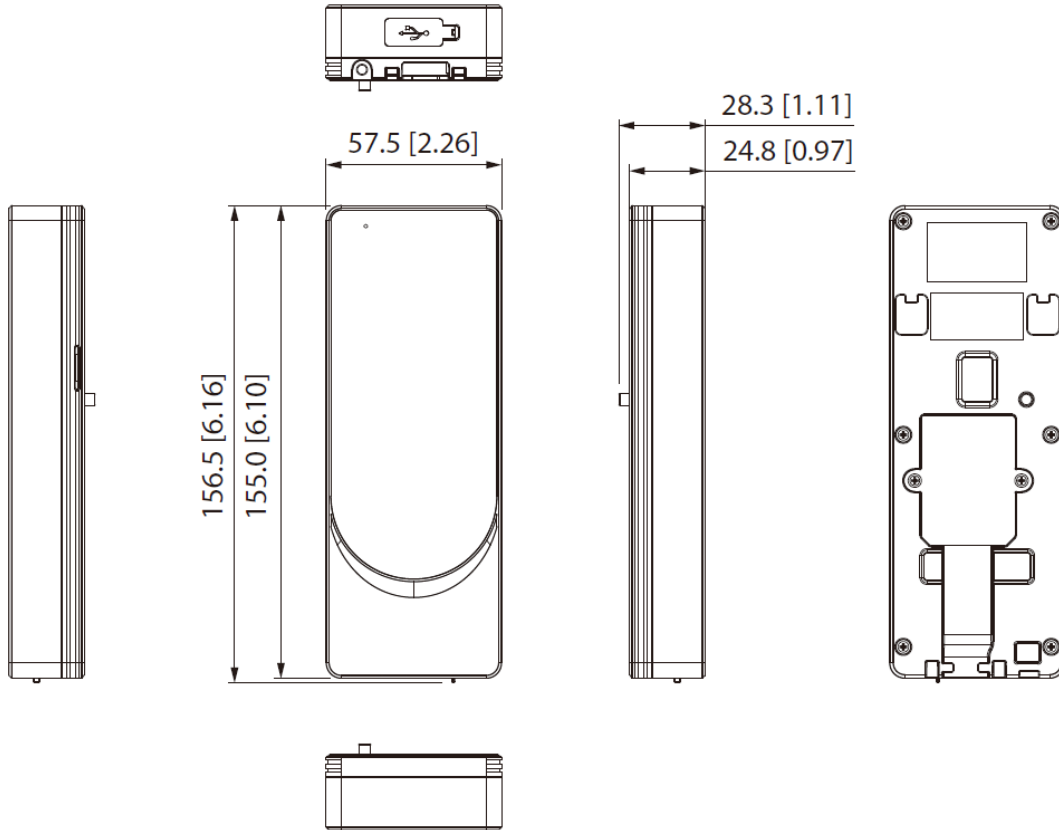


Figure 1-2 Dimensions for models with a call button (Unit: mm [inch])

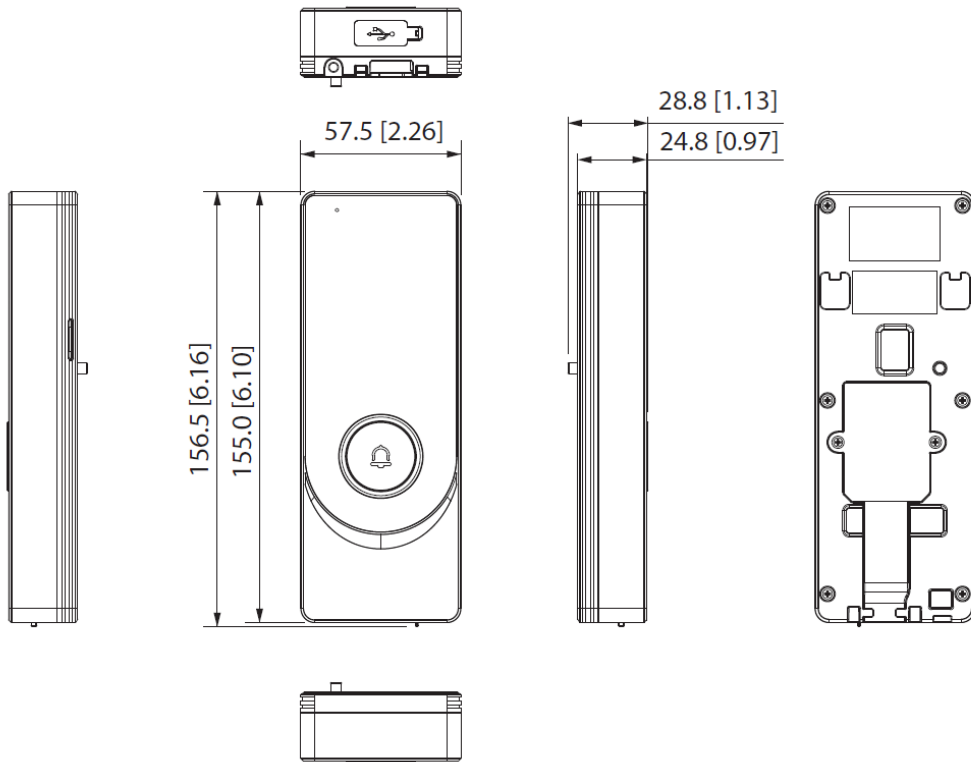


Figure 1-3 Appearance

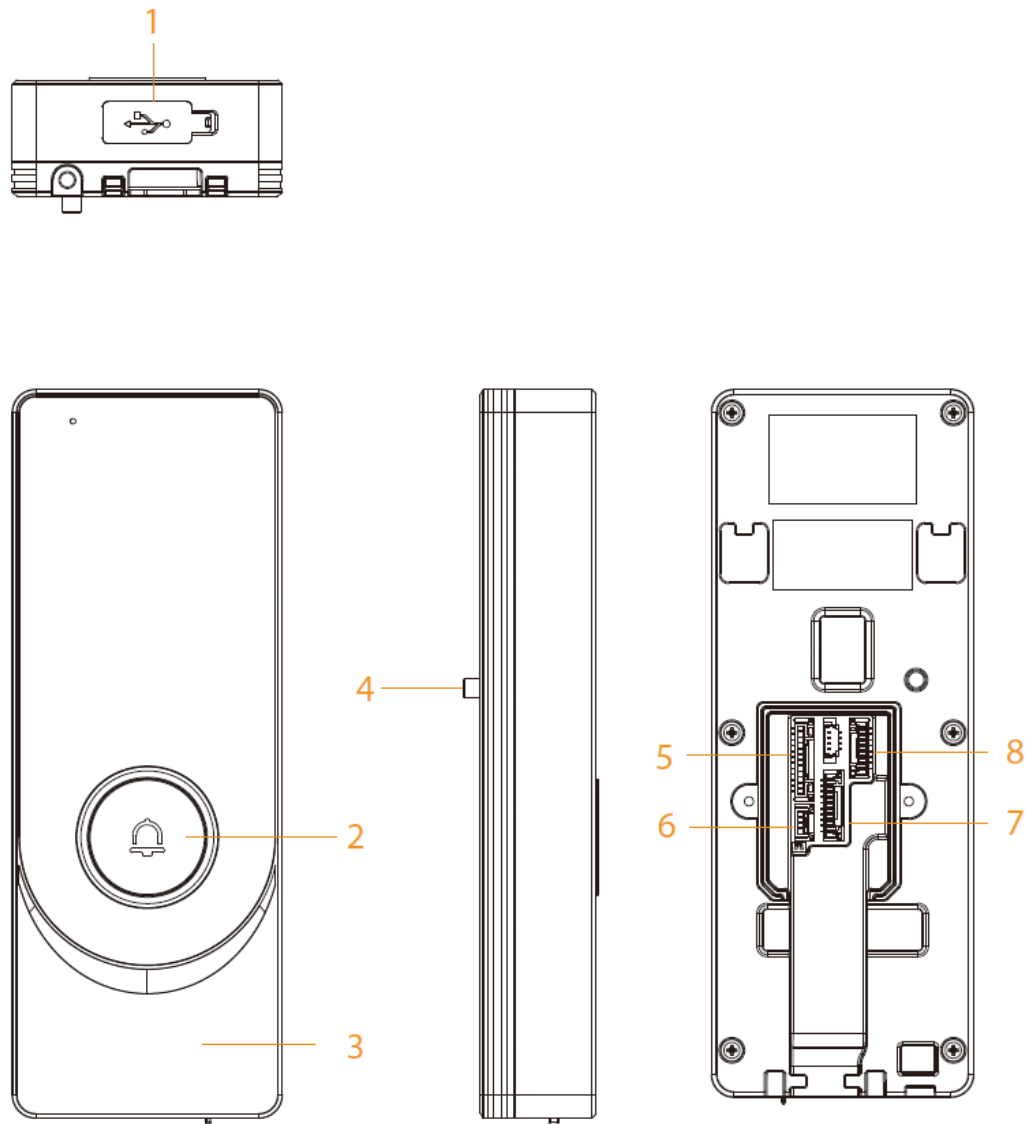



Table 1-1 Module description

No.	Module
1	USB port
2	Call button  Only supported on select models.
3	Card swiping area
4	Tamper switch
5	Power input and door detector port
6	Power output port
7	RS-485 port, Wiegand port, alarm input and alarm output port

No.	Module
8	Network port

2 Wiring and Installation

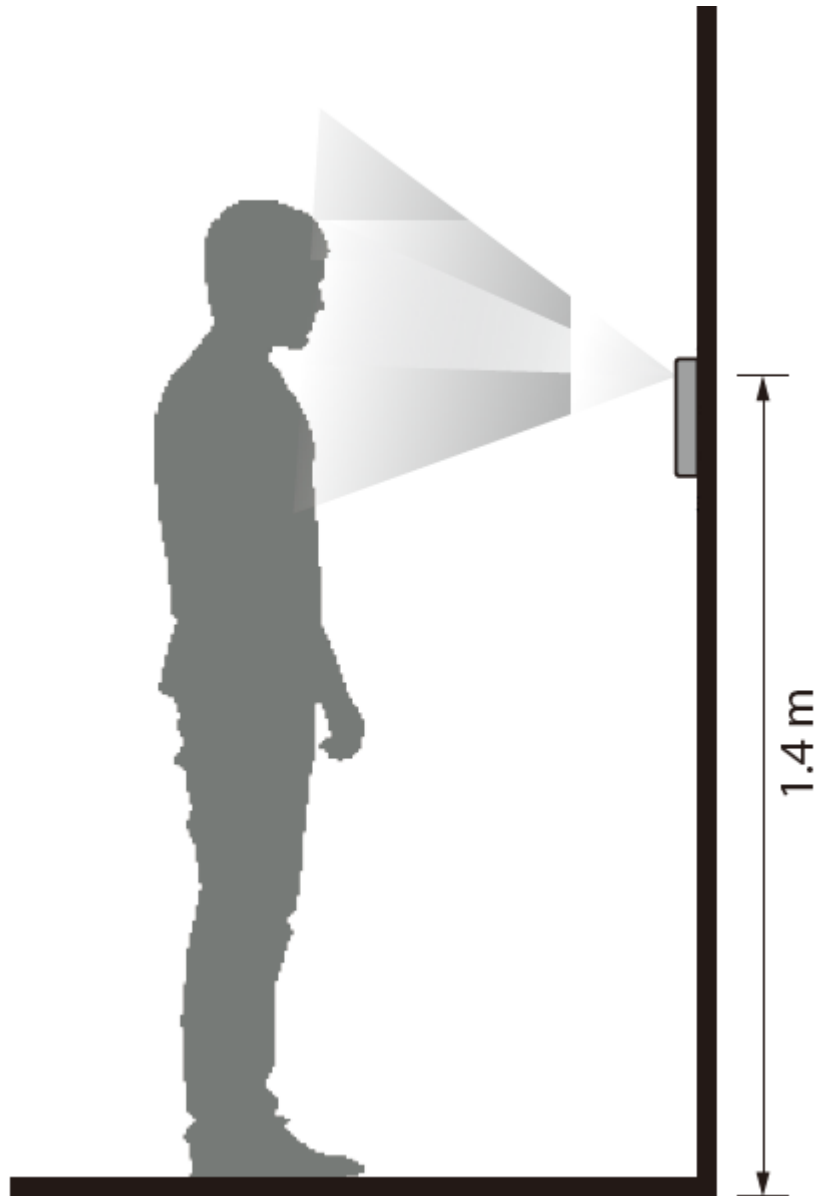
2.1 Installation Requirements



- The light 0.5 meters away from the access controller should be no less than 100 Lux.
- We recommend you install the access controller indoors, at least 3 meters away from windows and doors, and 2 meters away from the light source.
- Avoid backlight, direct sunlight, close light, and oblique light.

Installation Height Requirements

Figure 2-1 Installation height requirement



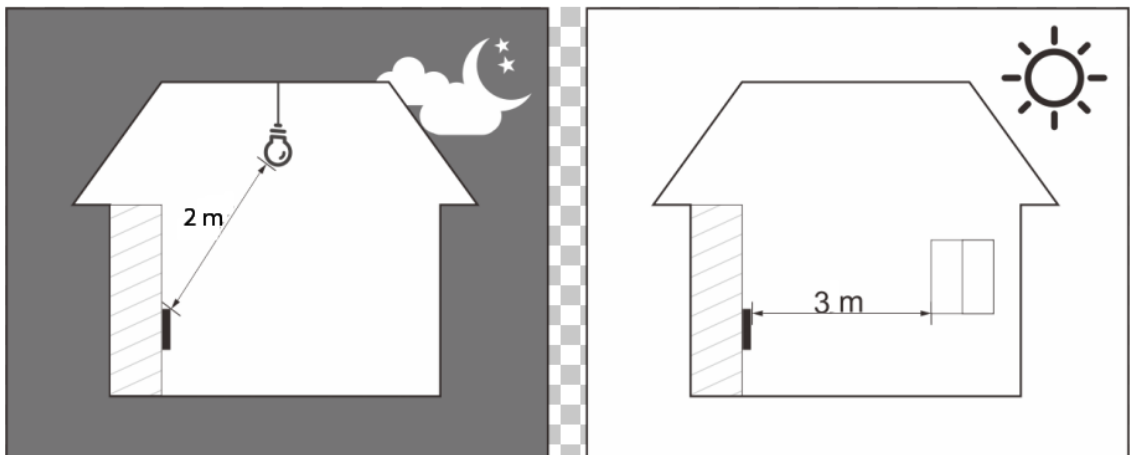
Ambient Illumination Requirements

Figure 2-2 Ambient illumination requirements



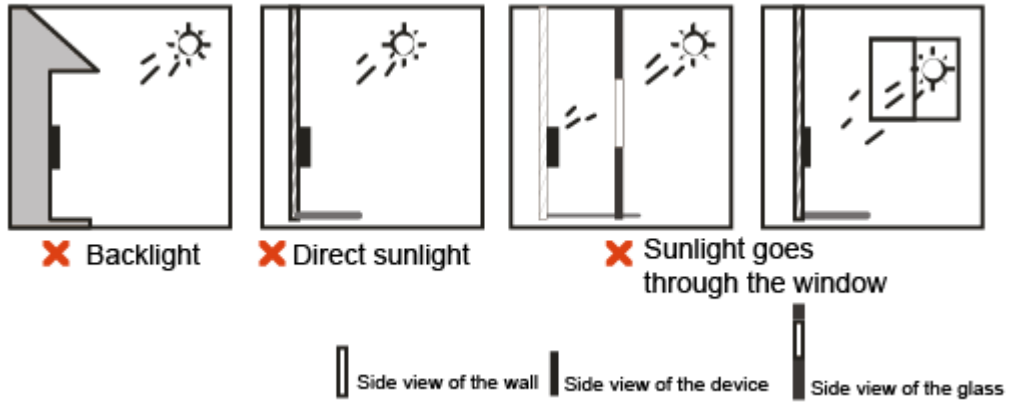
Recommended Installation Locations

Figure 2-3 Recommended installation locations



Installation Locations Not Recommended

Figure 2-4 Installation locations not recommended



2.2 Wiring

Figure 2-5 Cable





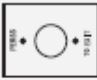





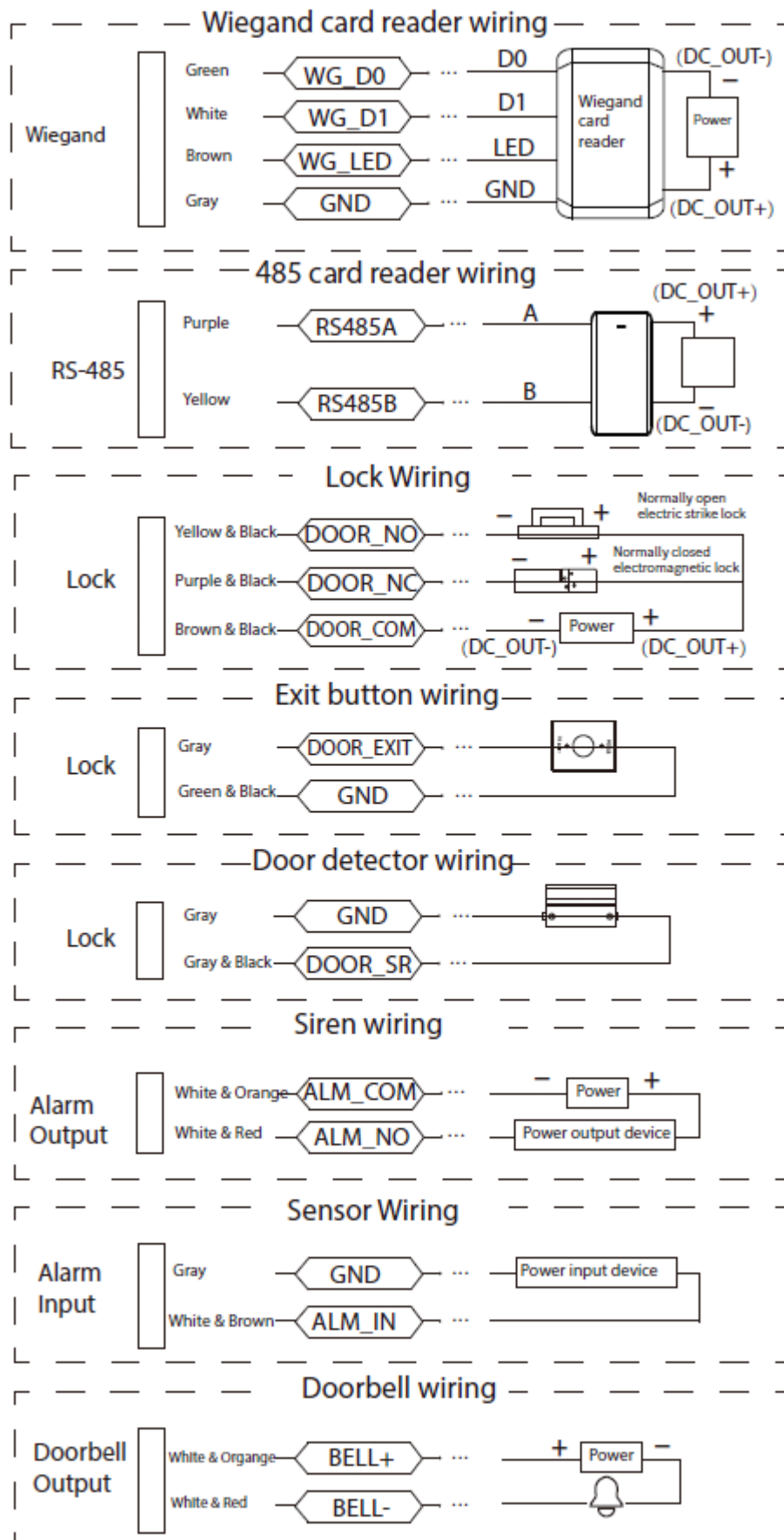
Power Input	Black	DC_IN-		12 VDC
	Red	DC_IN+		
Alarm Input	Gray	GND		Sensor
	White & Brown	ALM_IN		
Alarm Output	White & Orange	ALM_COM		Siren
	White & Red	ALM_NO		
Doorbell Output	White & Orange	BELL+		Doorbell
	White & Red	BELL-		
Lock	Gray	GND		Exit button
	Green & Black	DOOR_EXIT		
	Gray & Black	DOOR_SR		Door detector
	Brown & Black	DOOR_COM		
	Purple & Black	DOOR_NC		Normally closed electromagnetic lock
	Yellow & Black	DOOR_NO		
RS-485	Purple	RS485A		RS-485 card reader
	Yellow	RS485B		
Wiegand	Green	WG_D0		Wiegand card reader
	White	WG_D1		
	Brown	WG_LED		
Power Output	Black	DC_OUT-		12 VDC
	Red	DC_OUT+		

Figure 2-6 Wiring





BELL+ and ALM_COM one cable, BELL- and ALM_NO share another cable.

2.3 Installation Procedure

The access controller has button and non-button models. Both models share the same installation method, and the button model is used as an example here for illustration.

2.3.1 Wall Mount

Procedure

- Step 1 Drill 4 holes ($\varnothing 5$ mm) in the wall, and put 4 expansion bolts into the holes.
- Step 2 Use 4 ST3 \times 20 screws to fix the bracket to the wall through the holes.
- Step 3 Wire the access controller. For details, see "2.2 Wiring".
- Step 4 Fix the access controller on the bracket.
- Step 5 Screw one M3 \times 8 screw securely at the bottom of the access controller.

2.3.2 120 Box Mount

Procedure

- Step 1 Put a 120 box in the wall at an appropriate height.
- Step 2 Fasten the bracket to the 120 box with two ST4 \times 25 screws.
- Step 3 Wire the access controller. For details, see "2.2 Wiring".
- Step 4 Fix the access controller on the bracket.
- Step 5 Screw one M3 \times 8 screw securely at the bottom of the access controller.

3 Local Configurations

After the device is powered on, the blue light flashes slowly. Once the device being powered on successfully, the green light stays on for 3 seconds, followed by a blue breathing light. When the device is uninitialized, the red light flashes slowly.

4 Web Configurations

4.1 Initialization

Initialize the Device when you log in to the webpage for the first time or after the Device is restored to the factory defaults.

Prerequisites

Make sure that the computer used to log in to the webpage is on the same LAN as the Device.

Procedure

Step 1 Open a browser, go to the IP address (the default address is 192.168.1.108) of the Device.



We recommend you use the latest version of Chrome or Firefox.

Step 2 Select a language on Device.

Step 3 Set the password and email address according to the screen instructions.



- The password must consist of 8 to 32 non-blank characters and contain at least two types of the following characters: upper case, lower case, numbers, and special characters (excluding ' " ; : &). Set a high-security password by following the password strength prompt.
- Keep the password safe after initialization and change the password regularly to improve security.

4.2 Logging in to the Webpage

Procedure

Step 1 Open a browser, enter the IP address of the Device in the **Address** bar, and press the Enter key.

Step 2 Enter the user name and password.



- The default administrator name is admin, and the password is the one you set up during initialization. We recommend you change the administrator password regularly to increase security.
- If you forget the administrator login password, you can click **Forget password?** to reset password.

Step 3 Click **Login**.

Appendix 1 Important Points of Face Registration

Before Registration

- Glasses, hats, and beards might influence face recognition performance.
- Do not cover your eyebrows when wearing hats.
- Do not change your beard style greatly if you use the Device; otherwise face recognition might fail.
- Keep your face clean.
- Keep the Device at least 2 meters away from light source and at least 3 meters away from windows or doors; otherwise backlight and direct sunlight might influence face recognition performance of the access controller.

During Registration

- You can register faces through the Device or through the platform. For registration through the platform, see the platform user manual.
- Make your head center on the photo capture frame. The face image will be captured automatically.



- Do not shake your head or body, otherwise the registration might fail.
- Avoid 2 faces appear in the capture frame at the same time.

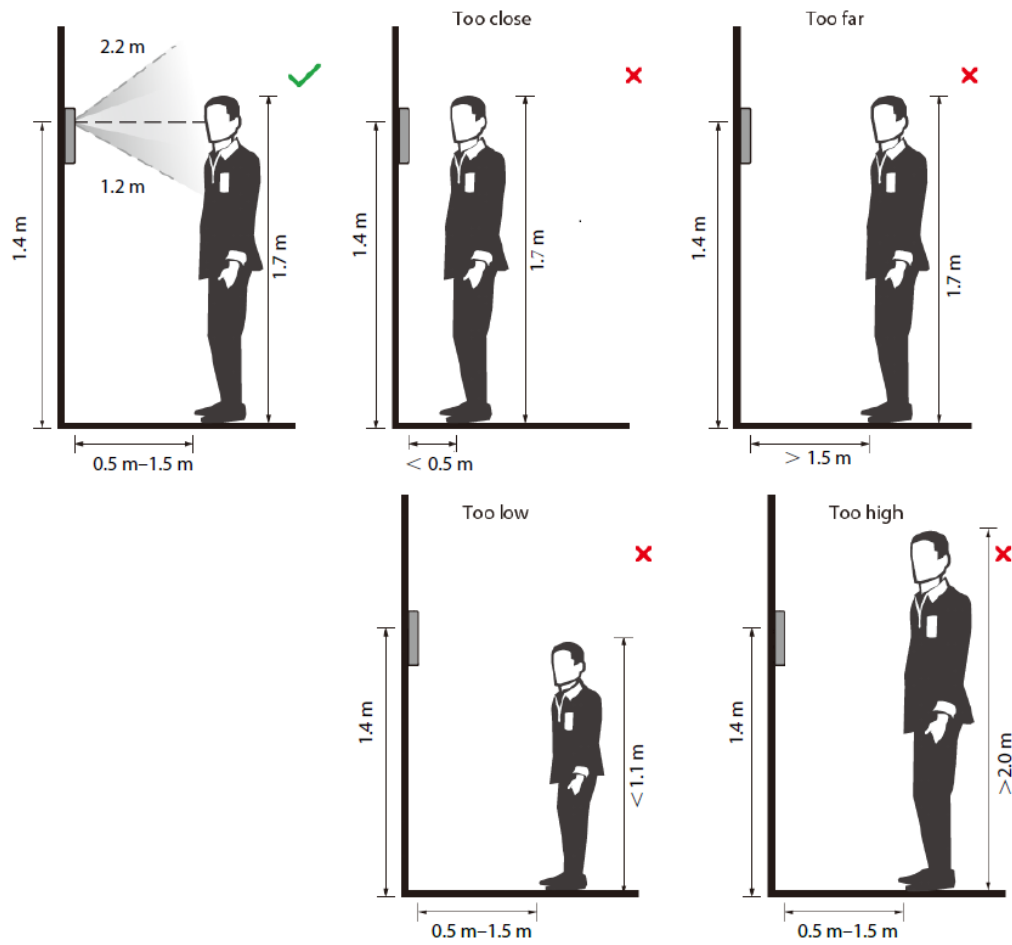
Face Position

If your face is not at the appropriate position, face recognition accuracy might be affected.



The face position below is for reference only, and might differ from the actual situation.

Appendix Figure 1-1 Appropriate face position



Requirements of Faces

- Make sure that the face is clean and forehead is not covered by hair.
- Do not wear glasses, hats, heavy beards, or other face ornaments that influence face image recording.
- With eyes open, without facial expressions, and make your face toward the center of camera.
- When recording your face or during face recognition, do not keep your face too close to or too far from the camera.

Appendix Figure 1-2 Head position



Appendix Figure 1-3 Face distance



- When importing face images through the management platform, make sure that image resolution is within the range from 150×300 pixels to 600×1200 pixels. It is recommended that the resolution be greater than 500×500 pixels, the image size be less than 100 KB, and the image name and person ID be the same.
- Make sure that the face takes up more than $1/3$ but no more than $2/3$ of the whole image area, and the aspect ratio does not exceed 1:2.

Appendix 2 Security Recommendation

Account Management

1. Use complex passwords

Please refer to the following suggestions to set passwords:

- The length should not be less than 8 characters;
- Include at least two types of characters: upper and lower case letters, numbers and symbols;
- Do not contain the account name or the account name in reverse order;
- Do not use continuous characters, such as 123, abc, etc.;
- Do not use repeating characters, such as 111, aaa, etc.

2. Change passwords periodically

It is recommended to periodically change the device password to reduce the risk of being guessed or cracked.

3. Allocate accounts and permissions appropriately

Appropriately add users based on service and management requirements and assign minimum permission sets to users.

4. Enable account lockout function

The account lockout function is enabled by default. You are advised to keep it enabled to protect account security. After multiple failed password attempts, the corresponding account and source IP address will be locked.

5. Set and update password reset information in a timely manner

The device supports password reset function. To reduce the risk of this function being used by threat actors, if there is any change in the information, please modify it in time. When setting security questions, it is recommended not to use easily guessed answers.

Service Configuration

1. Enable HTTPS

It is recommended that you enable HTTPS to access web services through secure channels.

2. Encrypted transmission of audio and video

If your audio and video data contents are very important or sensitive, it is recommended to use encrypted transmission function in order to reduce the risk of your audio and video data being eavesdropped during transmission.

3. Turn off non-essential services and use safe mode

If not needed, it is recommended to turn off some services such as SSH, SNMP, SMTP, UPnP, AP hotspot etc., to reduce the attack surfaces.

If necessary, it is highly recommended to choose safe modes, including but not limited to the following services:

- SNMP: Choose SNMP v3, and set up strong encryption and authentication passwords.
- SMTP: Choose TLS to access mailbox server.
- FTP: Choose SFTP, and set up complex passwords.
- AP hotspot: Choose WPA2-PSK encryption mode, and set up complex passwords.

4. Change HTTP and other default service ports

It is recommended that you change the default port of HTTP and other services to any port between 1024 and 65535 to reduce the risk of being guessed by threat actors.

Network Configuration

1. **Enable Allowlist**

It is recommended that you turn on the allowlist function, and only allow IP in the allowlist to access the device. Therefore, please be sure to add your computer IP address and supporting device IP address to the allowlist.

2. **MAC address binding**

It is recommended that you bind the IP address of the gateway to the MAC address on the device to reduce the risk of ARP spoofing.

3. **Build a secure network environment**

In order to better ensure the security of devices and reduce potential cyber risks, the following are recommended:

- Disable the port mapping function of the router to avoid direct access to the intranet devices from external network;
- According to the actual network needs, partition the network: if there is no communication demand between the two subnets, it is recommended to use VLAN, gateway and other methods to partition the network to achieve network isolation;
- Establish 802.1x access authentication system to reduce the risk of illegal terminal access to the private network.

Security Auditing

1. **Check online users**

It is recommended to check online users regularly to identify illegal users.

2. **Check device log**

By viewing logs, you can learn about the IP addresses that attempt to log in to the device and key operations of the logged users.

3. **Configure network log**

Due to the limited storage capacity of devices, the stored log is limited. If you need to save the log for a long time, it is recommended to enable the network log function to ensure that the critical logs are synchronized to the network log server for tracing.

Software Security

1. **Update firmware in time**

According to the industry standard operating specifications, the firmware of devices needs to be updated to the latest version in time in order to ensure that the device has the latest functions and security. If the device is connected to the public network, it is recommended to enable the online upgrade automatic detection function, so as to obtain the firmware update information released by the manufacturer in a timely manner.

2. **Update client software in time**

It is recommended to download and use the latest client software.

Physical Protection

It is recommended that you carry out physical protection for devices (especially storage devices), such as placing the device in a dedicated machine room and cabinet, and having access control

and key management in place to prevent unauthorized personnel from damaging hardware and other peripheral equipment (e.g. USB flash disk, serial port).