

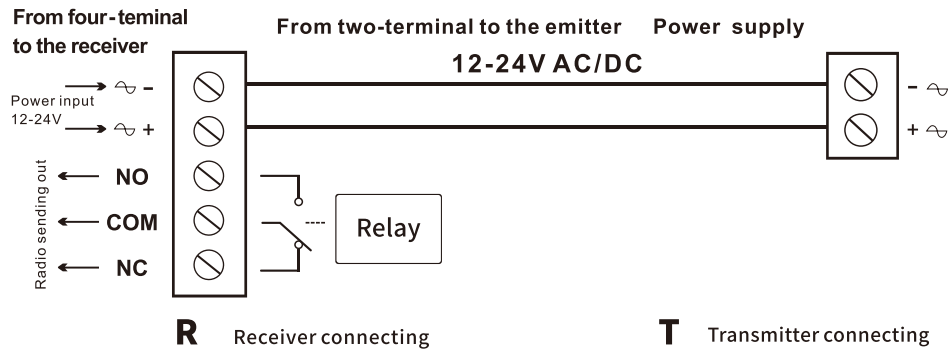
ACTIVE INFRARED SENSOR

Usage manual

TECHNICAL SPECIFICATIONS

GB Technology	: Infrared
RECEIVER RANGE	: ≤15m : Range can be reduced to 30% in bad weather conditions: for, rain, dust, etc.
Infra-Red Frequency	: 1.92 KHz
POWER SUPPLY	: 12 to 24V DC/AC
WAVE LENGTH	: 940nm
INPUT	: RX15mA-TX30mA
OPERATING TEMPERATURE	: -20C to 70C
RELAY OUTPUT	: 1A max 36V
DIMENSIONS	: 77x45x23 mm

CONNECTING THE SENSOR



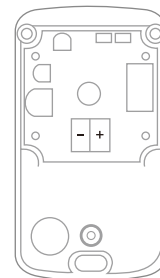
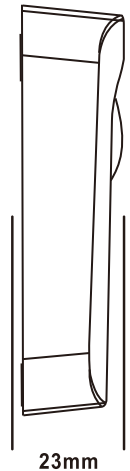
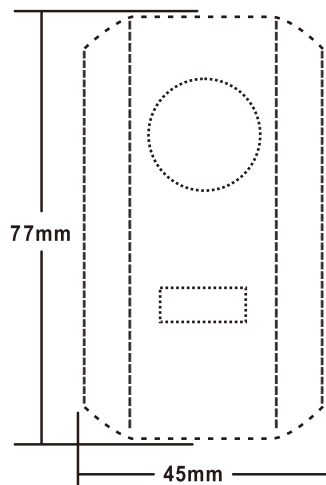
Installation:

The best Install height should be in 20 cm, Install distance to be no smaller than 2 meters. Install should make red outside the protection equip perpendicularly to place, and is on-line at same level. Install should install first to receive part, install blast off part again. When together at always line, receive the OFF light in the machine in order to put out, then fix. connect the line to install completion namely.

Attention:

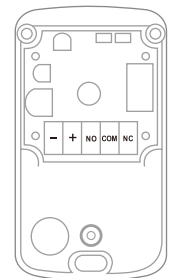
Because this product shoot power compare big, so when shoot machine with receive the machine distance too near hour will appear have no the phenomenon of the reaction, at this time should draw back them one meter at least behind again try. When install distance very near, discover not intelligent phenomenon, can shoot and receive medium of the condensing lens remove, can immediately raise an intelligent degree.

MOUNTING THE SENSOR



TX

1= 0V AC/DC-
2= 12/24V AC/DC+



RX

1= 0V AC/DC-
2= 12/24V AC/DC
3= NO
4= COM
5= NC